

Sahara Pro X3 TurboDryer

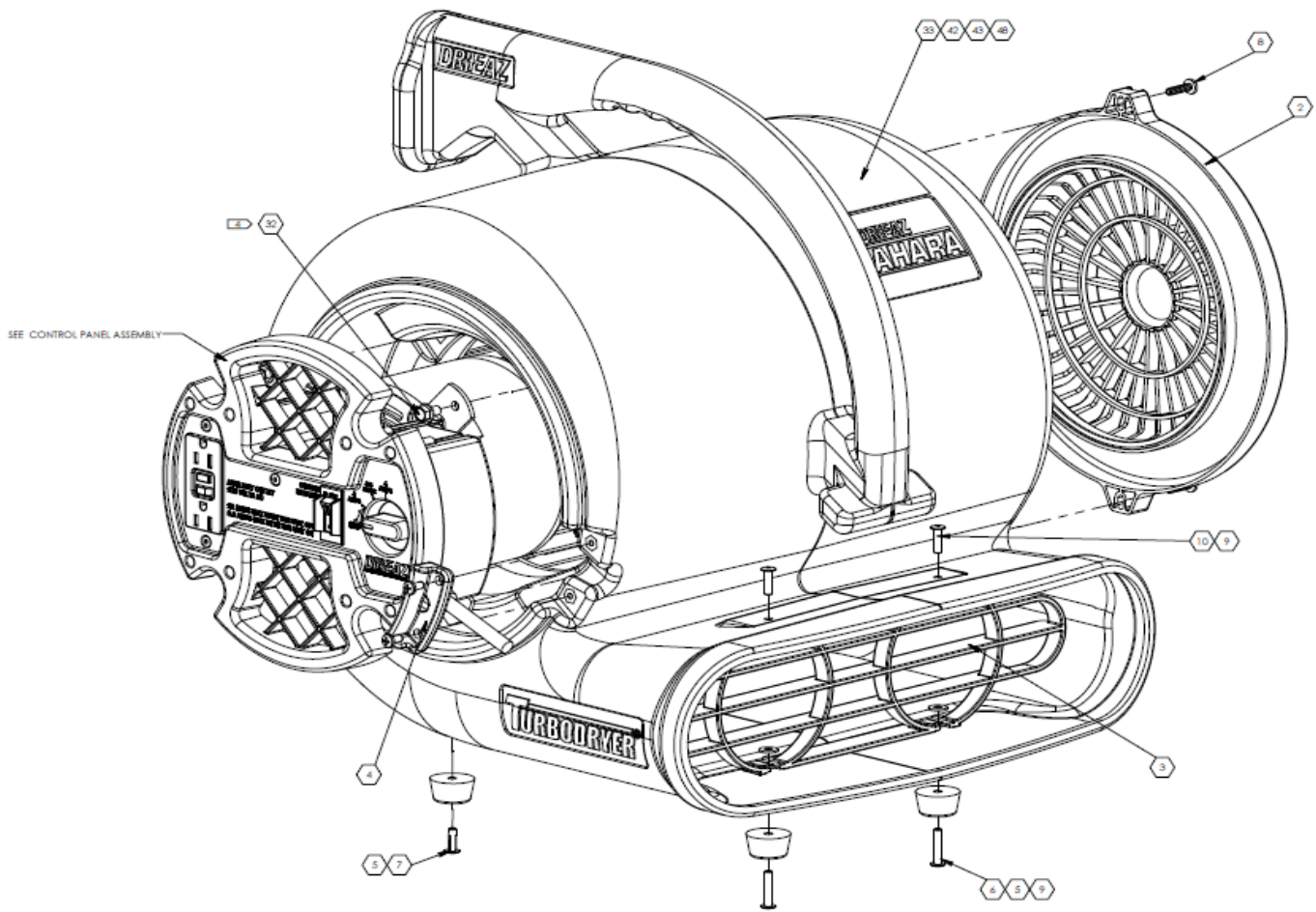
(Models: F351, F351-BE, F351-BUR, F351-GRN, F351-PR, F351-SM, F351-SP, F351-US, F351-YEL)

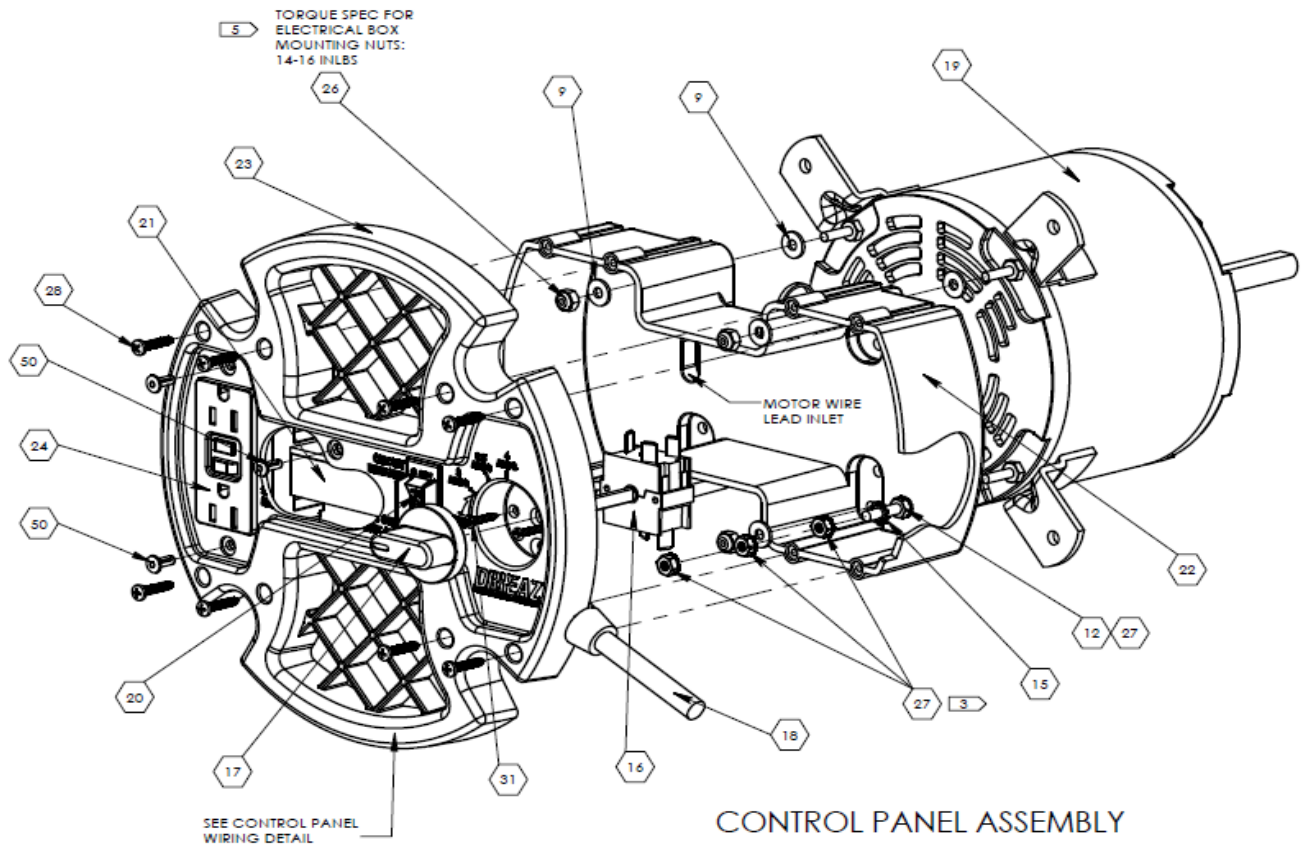
Symbol Definition

- * - multiple components to choose from for different models: voltage, size, color, etc.
- + - if you order this item, you may need to order additional items marked with same number of +'s in order to upgrade or complete repair

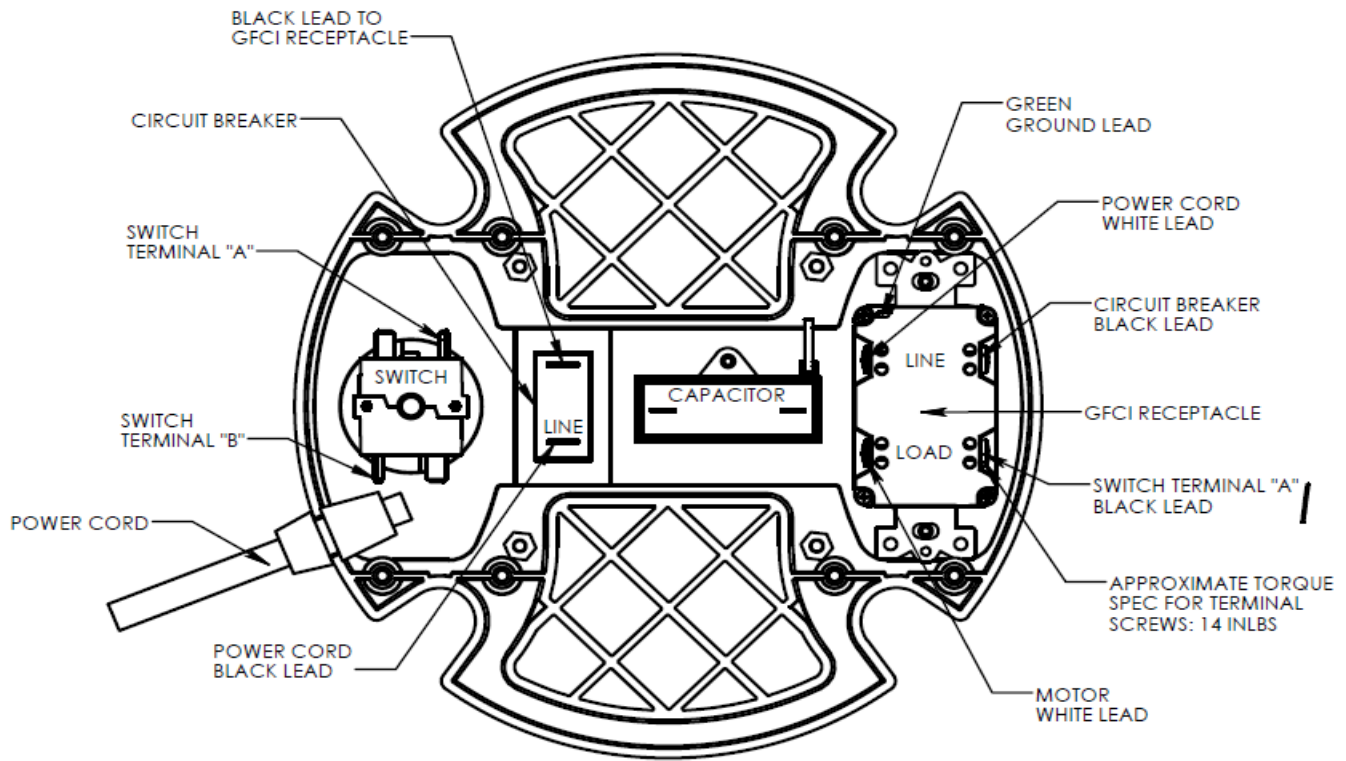
Find #	Part Description	Part #	Measure	Qty
	CONNECTOR - QC .250 FEM 90° FULLY INSUL 16/14 GA	02-00133	Ea.	3
	CONNECTOR - PIGGYBACK .250 18/14 GA	02-00134	Ea.	1
	CONNECTOR - RING #10 INSUL 14/16 GA	02-00516	Ea.	1
24	RECEPTACLE - COMMERCIAL 15A W/ GFCI	02-01472	Ea.	1
20	CIRCUIT BREAKER - 12A W/ SWITCH	02-01473	Ea.	1
	CONNECTOR - SPRING SPADE #8 INSUL GRIP 16/14 GA	02-01475	Ea.	3
19	MOTOR ASSY - 115V 1/3 HP 1000RPM 3SPD SAHARA	02-01488	Ea.	1
16	SWITCH - ROTORY 3 SPD SAHARA PRO X3/HD	02-01491	Ea.	1
44	CABLE TIE - 4" NYLON	03-00012	Ea.	2
9	WASHER - 3/16 RIVET.19 ID X .47 OD X .05 ZP	03-00013	Ea.	12
26	NUT - 8-32 NYLOC THIN ZP	03-00015	Ea.	4
10	RIVET - 3/16 X 1/2 AL/AL BLK ANOD	03-00030	Ea.	2
6	RIVET- 3/16 BLK ANODIZE LONG AAP 6-12	03-00032	Ea.	2
27	NUT - #10-24 W/STAR WASHER ZP	03-00038	Ea.	4
	NUT - #10-24 HEX INSERT AL	03-00089	Ea.	4
12	SCREW- #10-24 X 1" HWH SER ZP	03-00093	Ea.	1
32	SCREW- 1/4-20 X 3/8 HWH NYLOC ZP	03-00105	Ea.	4
	INSERT- 1/4-20 X .50 X .50 HH AL	03-00106	Ea.	4
5	FOOT - ROUND 3/16 ID X 1.25 OD X 5/8 RUBBER BLK	03-00131	Ea.	6
7	RIVET - 3/16 X 5/8 TRI FOLD AL/AL	03-00204	Ea.	4
28	SCREW - #6 X 7/8 PHP ZP	03-01003	Ea.	8
11	SCREW - #10-24 X 3/8 PHIL PH ZP	03-01359	Ea.	2
29,30	RIVET - 5/32 X 1/4 TRI FOLD AL/AL BLK	03-01487	Ea.	3
17	KNOB - 1.38 OB BAR 6.0 X 4.5MM D SHAFT RUBBER	03-01508	Ea.	1
8	SCREW - #10-24 x 3/4 PHP ZP BLK	03-01510	Ea.	2
31	SCREW - #4 X 5/8 CH PHIL ZP	03-01511	Ea.	2
15	WASHER - #10 ANSI EXTERNAL TOOTH ZP	03-01532	Ea.	1
46	BAG - 23 X 48 X 17 POLY 1.5 MIL	06-00045	Ea.	1
45	BOX - 18.3 X 17.0 X 18.8 323DW HH48 RSC PLAIN	06-01473	Ea.	1
47	MANUAL - OWNERS 115V SAHARA PRO X3 W/07-00419	07-01537	Ea.	1
21	CAPACITOR ASSY - 5MFD 375V BOX	09-00012	Ea.	1
1	BLOWER WHEEL ASSY - CENTRIFRUGAL 9.62 OD X 9.53	S137	Ea.	1
18	POWER CORD ASSY - 14/3 SJTW 5-15P 25FT SAHARA	09-01476	Ea.	1
33	HOUSING - POLETHYLENE FISHER BLU SAHARA	09-01481S	Ea.	1
3	GRILL - SNOOT ABS BLK SAHARA	09-01483	Ea.	1
22	ELECTRICAL BOX - 5V ABS SAHARA	09-01484	Ea.	1
23	COVER - CONTROL PANEL 5V ABS BLK W/PRINTING	09-01485-01	Ea.	1
4	SUPPORT - POWER CORD ABS BLK SUPPORT	09-01487	Ea.	1
25	WIRING HARNESS - 115V SAHARA PRO X3	09-01488	Ea.	1
2	VENTURI INLET GRILL ASSY - SAHARA	09-01492	Ea.	1

SAHARA Pro X 3 PICTORIAL DRAWING





CONTROL PANEL ASSEMBLY



CONTROL PANEL WIRING DETAIL